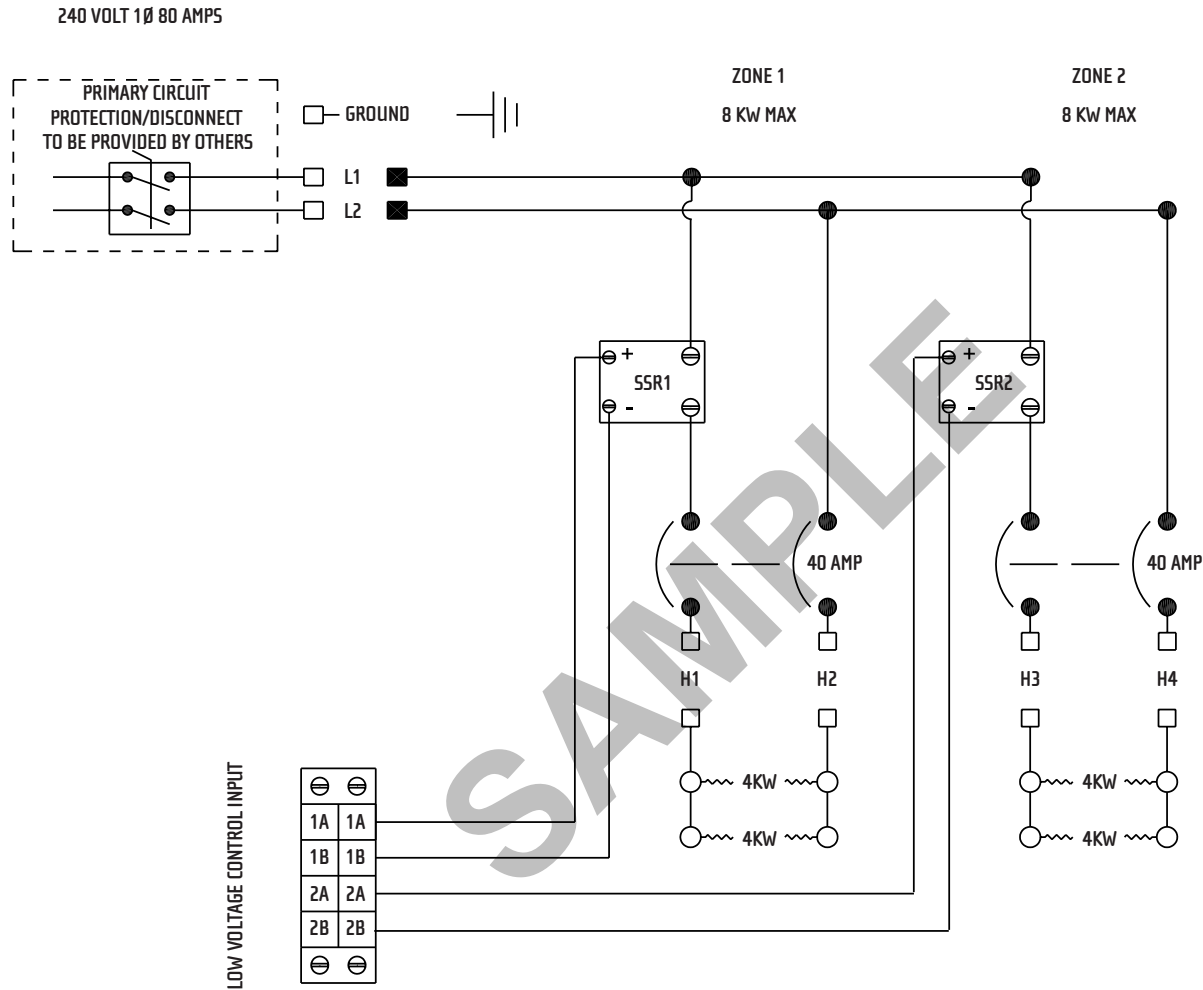
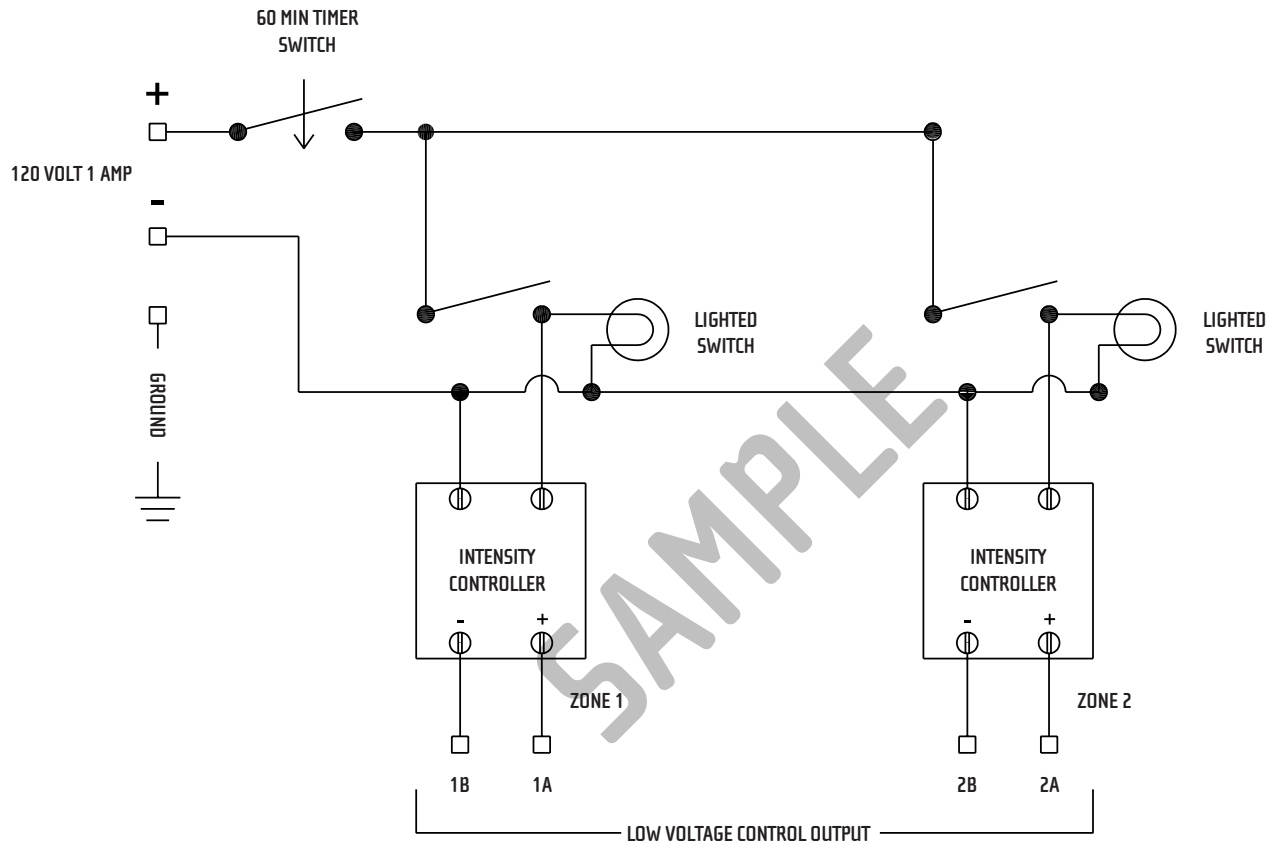


2 RELAY MAIN CONTROL PANEL

240 VOLT SINGLE PHASE 80 AMP5



2 ZONE ANALOG W/TIMER REMOTE CONTROL UNIT



NOTE: USE TWISTED PAIR OR SHIELDED WIRE FOR LOW VOLTAGE HOOK-UP.