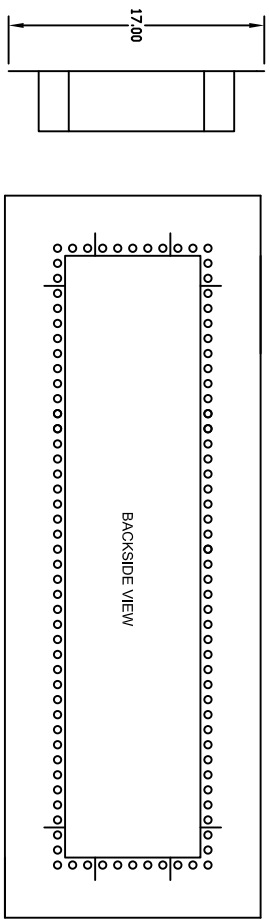
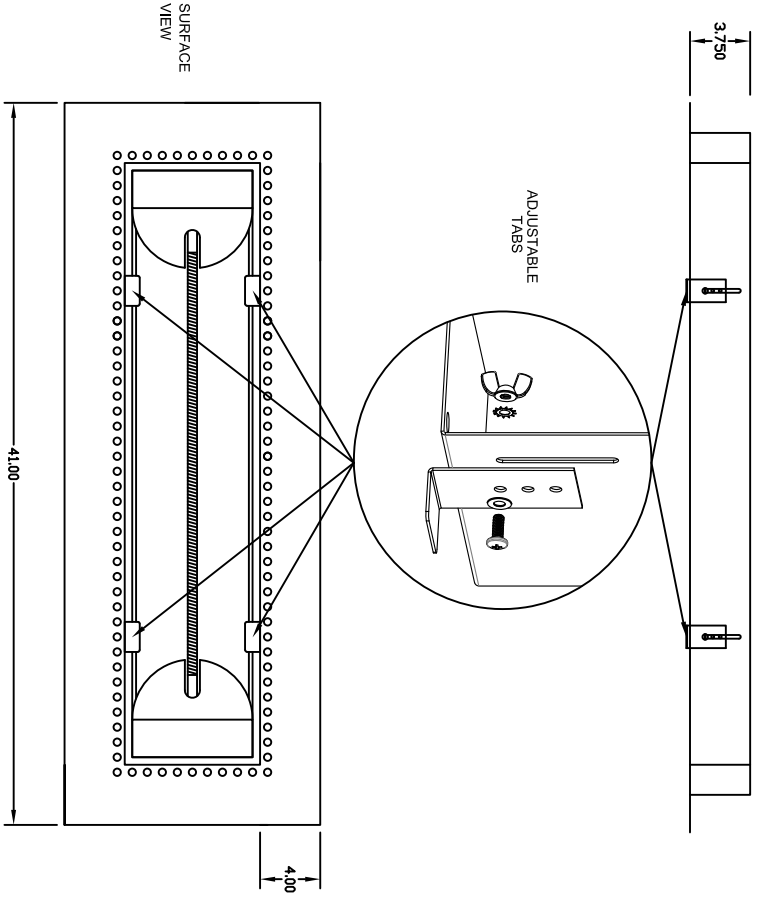
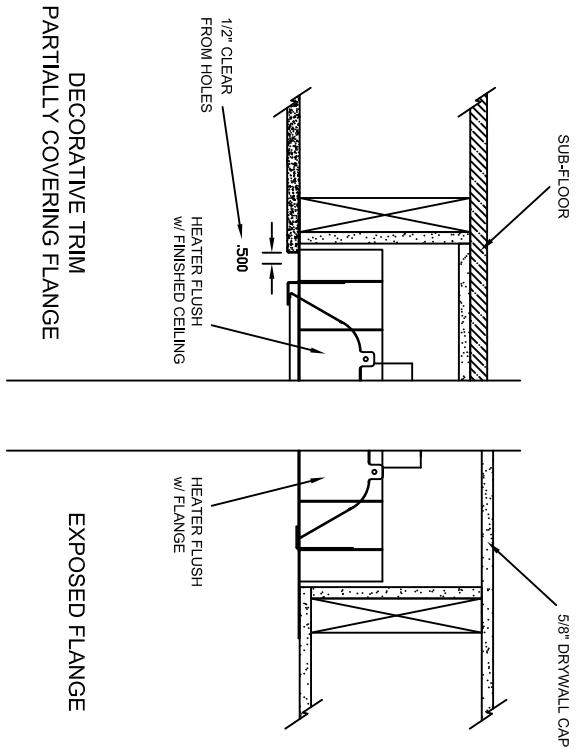
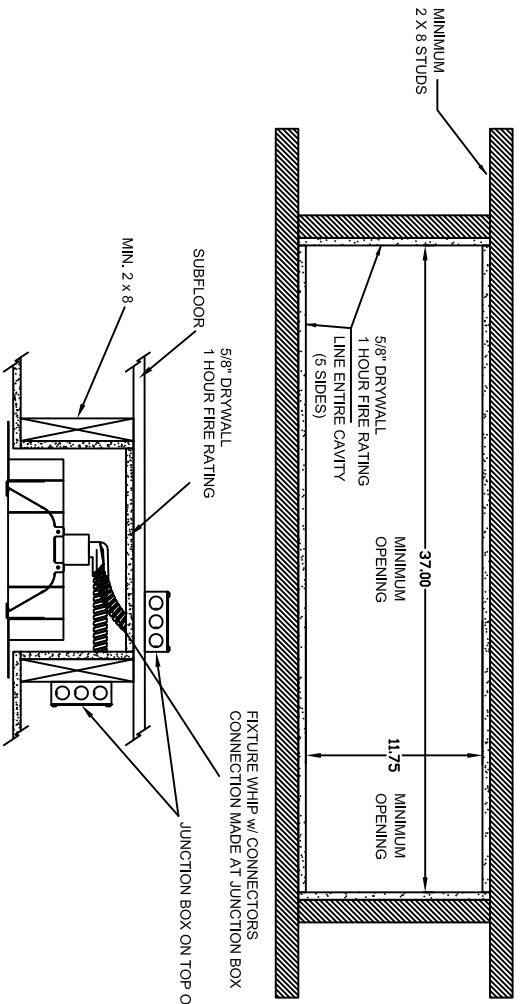


INSTALLATION TYPES



WARNINGS:

- This frame is ONLY to be used on a flat non-sloped ceiling.
- Heater must face straight down.
- Frame and Heater cannot be installed on a pitched angle.

NOTES:

- Heater suspends (Gravity) by resting on adjustable tabs in flush mount fixture.
- Mounting holes on Surface Flange to be determined and drilled by Contractor/Installer.
- Supplied with Hi-Temp Fixture Whip and Hi-Temp Ceramic Wire Nuts.
- Note: Please contact factory for longer length whips available for purchase.
- Coil excess flex into heater cavity.
- Use Licensed Electrician ONLY

INFRA TECH www.infra-tech-usa.com			
ITEM #:	X-18-2295	MATERIAL:	304 S.S. #4 FINISH
DESCRIPTION:	W-33 FLUSH MOUNT PLASTER FRAME (FOR USE WITH 33" HEATERS)		
NOTES:	SUPPLIED w/ ELECTRICAL FIXTURE WHIP		
DATE:	Aug. 15, 2017	SCALE:	N/A
		DRAWN BY:	MD
15700 S. Figueroa St. Gardena, California 90248 Phone: (310) 354-1250 Fax: (310) 523-3674			