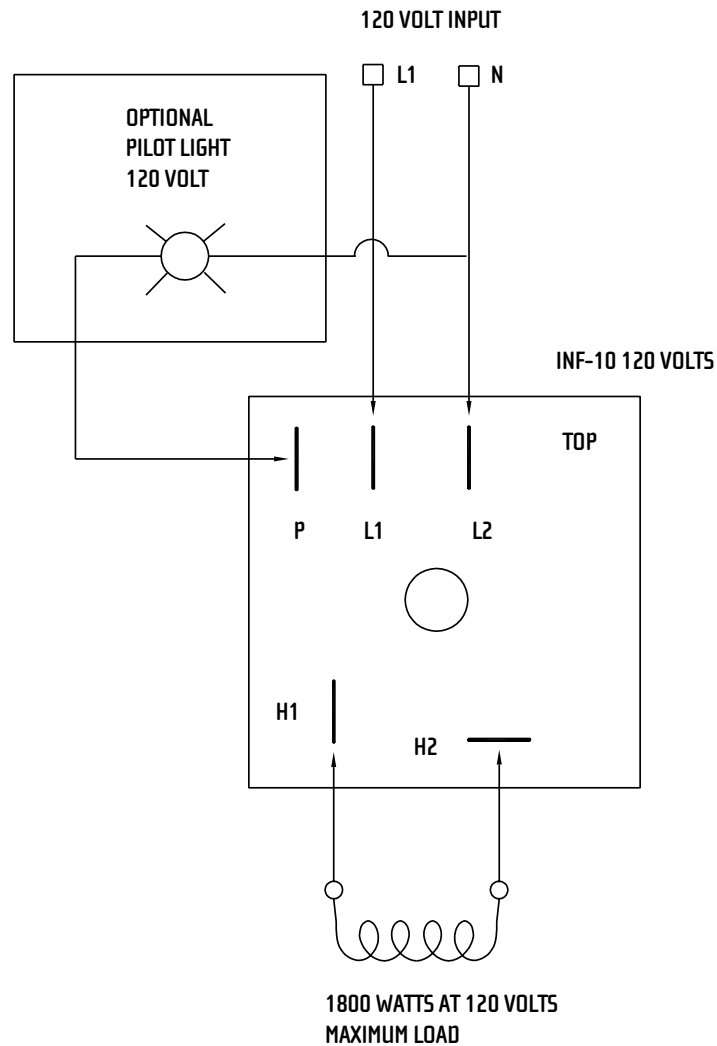
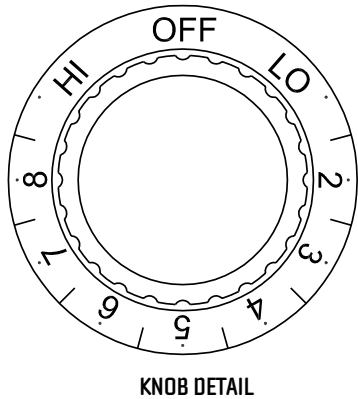


REGULATOR WIRING DIAGRAM

INF-10



ITEM #: 14-4092

NOTES:

- 120 volt 1Ø 15 amp
- Mechanical bi-metal operation
- Double Pole Single Throw (DPST) snap action
- Supplied with 4 insulated female connectors
- 1800 watts max
- 15 amps max